

FEATURES

- ❑ Multichannel option (2, 6 and 12 channels)
- ❑ Channel selection: Manual by front rotary switch
- ❑ Versatile temperature meter for Thermocouple inputs: J and K & RTD input: PT100
- ❑ Robust metallic enclosure
- ❑ Economical and flexible

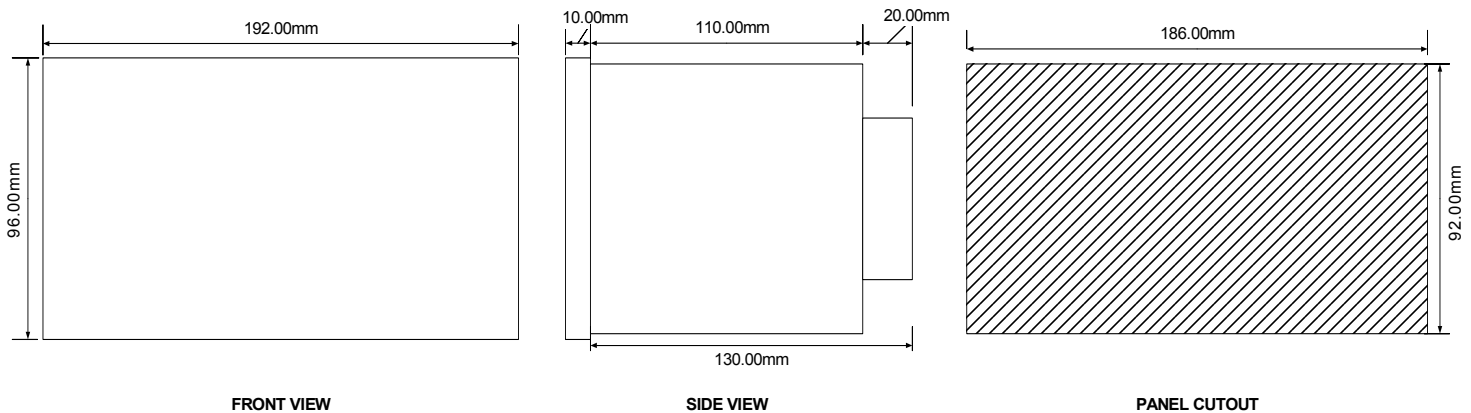


The model DTI502/ 6/ 12 is a Multichannel Temperature Indicator with high accuracy. This temperature indicator is selectable among two types of thermocouple temperature sensors – J, K and RTD PT100 sensor. The DTI502/6/12 indicator has the ability to switch between two to twelve sensor inputs with its multi-input option. A miniature rotary switch, accessible from the front panel, allows convenient switching between inputs. Excellent accuracy and small size combine to make it the ideal choice for most industrial applications.

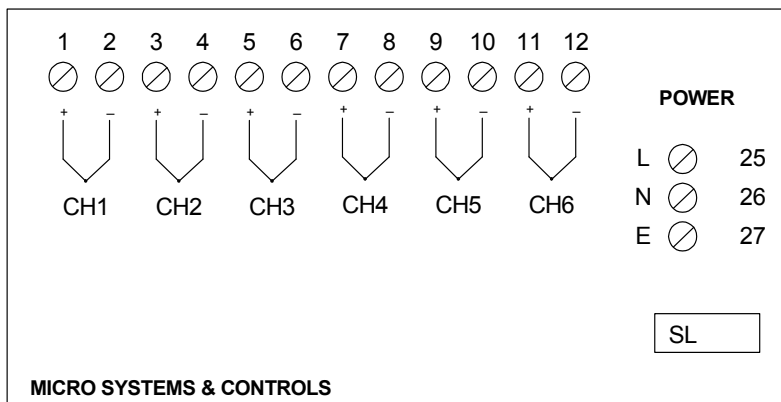
SPECIFICATIONS:

Input signal	<ul style="list-style-type: none"> ▪ J, K type of Thermocouple ▪ PT100 RTD
Measuring range	Refer table
Power supply	110/230 V AC, +/-10%, 50 Hz
Accuracy	+/-0.25 of FS, +/- 1 digit
Display	3½ digit 12.5mm, 7 segment LED, Red
Environmental	<ul style="list-style-type: none"> ▪ Temperature: 0 to 55 Deg. C ▪ Humidity: Up to 95% RH (non-condensing)
Enclosure	MS with powder coating
Weight	0.3 kg (approx.)
External Dimensions	192 (W) × 96 (H) × 130 (D)
Panel cutout	186 (W) × 92 (H)

EXTERNAL DIMENSIONS:



BACK TERMINAL DRAWING (for DTI-506 TC):



INPUT TABLE: -

INPUT	TYPE	RANGE
RTD	PT100	0 to 600 Deg. C
	PT100	0 to 199.9 Deg. C
Thermocouple	J	0 to 600 Deg. C
	K	0 to 1200 Deg. C

ORDERING CODE:

DTI50X - []

X = 2 for 2 channels
 X = 6 for 6 channels
 X = 12 for 12 channels

Type of Input
RTD6 = RTD PT100 (0 to 600 Deg. C)
RTD2 = RTD PT100 (0 to 199.9 Deg. C)
TCK = Thermocouple K type
TCJ = Thermocouple J type

- []

Power Supply
P230 = 230V AC
P110 = 110V AC

SAMPLE ORDER CODE:
DTI606 – TCK – P230
 6 channel Indicator, K type thermocouple input, 230VAC Power Supply