

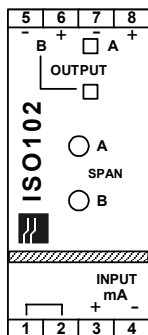
## FEATURES

- ❑ Single or Dual output
- ❑ Current loop isolator
- ❑ Passive – Loop powered I/O
- ❑ Optical galvanic isolation
- ❑ Narrow Profile – greater packing density
- ❑ Front panel adjustment
- ❑ 35 mm DIN rail mounting



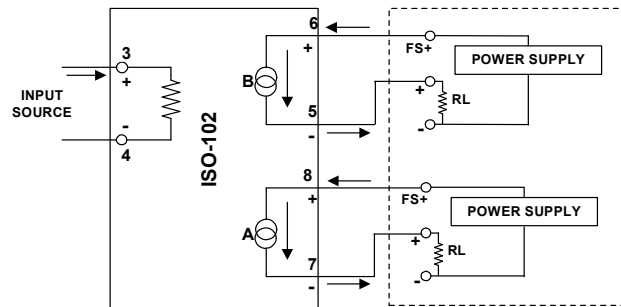
Signal Isolator ISO102 series (single output or dual output) provides total signal isolation between a non-isolated transmitter and a receiving device. This eliminates faulty readings in process measurement and control equipment caused by ground loops, motor noise, and other unpredictable electrical interference. When the output from one transmitter needs to be isolated and sent to two different locations, ISO102 with dual output provides ideal solution and acts as a splitter. These isolators operate on the principle of optical isolation and provide high isolation between the input circuit and the output. External power supply is not required by these isolators, the input circuit is powered from the input 4 to 20mA signal and the outputs are powered by the output loop power provided by the receiving instrument. The isolators have individual output adjustment potentiometers accessible from the front panel.

## MODULE PIN CONFIGURATION AND WIRING:



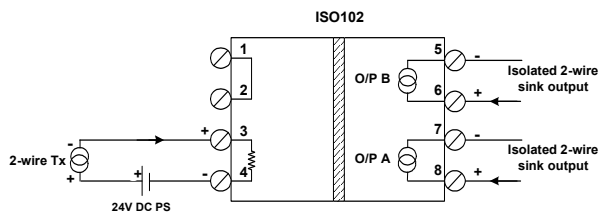
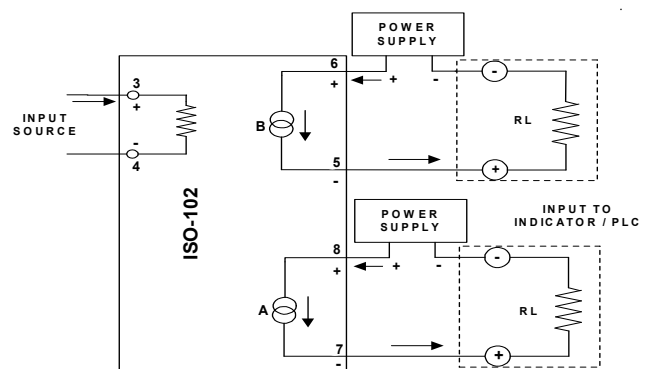
- 1 – NOT USED
  - 2 – NOT USED
  - 3 – mA INPUT (+ve)
  - 4 – mA INPUT (-ve)
  - 5 – OUTPUT 2 (-ve)
  - 6 – OUTPUT 2 (+ve)
  - 7 – OUTPUT 1 (-ve)
  - 8 – OUTPUT 1 (+ve)
- For Dual Output Only

### RECEIVER WITH INTERNAL POWER SUPPLY

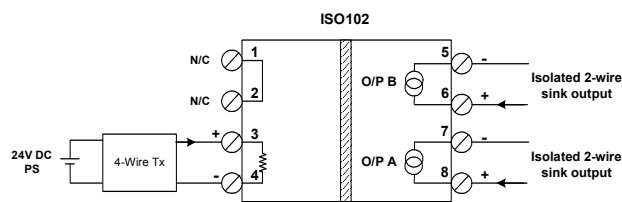


### INPUT TO INDICATOR / PLC

### RECEIVER WITH EXTERNAL POWER SUPPLY



CONNECTION DIAGRAM FOR 2-WIRE TX INPUT



CONNECTION DIAGRAM FOR 4-WIRE TX INPUT

Note: Terminal 1 and 2 are internally shorted, provided for external use.

**SPECIFICATIONS:**

**Isolation**

Type Optical Galvanic Isolation  
 Isolation Voltage > 500 Volts

**Input**

Range 4 to 20 mA  
 Maximum input current 30 mA  
 Minimum voltage drop 10 V  
 Maximum voltage 36 Volts

**Output**

Range 4 to 20 mA  
 Maximum Loop voltage 36 V DC  
 No of Outputs Single Output or Dual output  
 Load resistance 600 Ohms max with 24 V DC loop supply

**Accuracy** +/- 0.1 % of span

**Power supply** Passive, Loop powered input and output

**Protection**

Reverse polarity Provided

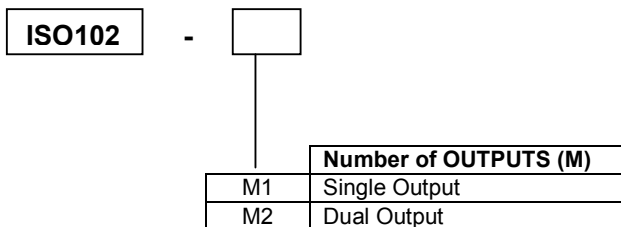
**Environment**

Operating Temperature -10 to +55 Deg C  
 Storage Temperature -20 to +70 Deg C  
 Operating Humidity Up to 95 % RH max

**Enclosure**

Mounting Type 35 mm DIN rail type  
 IP Rating IP20 terminal block, IP40 housing  
 Housing Flame Retardant ABS  
 Dimension 22.5 (W) X 105 (D) X 75 (H) mm  
 Gross Weight 130 gms

**ORDERING CODE:**



**SAMPLE ORDER CODE**  
 ISO102 – M2  
 DUAL OUTPUT SIGNAL ISOLATOR

**DIMENSIONS IN mm:**

