

FEATURES

- q Compact size
- q Rugged industrial design
- q Analog input - mA DC, V DC and Resistance
- q Red or Green display colour



LD3500 Large Indicator from Micro Systems & Controls is a large display single channel process indicator. This model has 3½ digits 7 segment 90mm LED display with red or green colour. It accepts inputs of mA DC, V DC and resistance (potentiometer). This process indicator is designed for accurate measurement and display of pressure, flow, frequency, etc. LD3500 is suitable for a variety of applications in industrial controls and process control systems.

SPECIFICATIONS:

Power supply	230V AC or 110V AC
Input	Refer Input table
Input connection	Internal screw type terminal.
Display	3½ digit 90mm 7 seg. LED, Range –1999 to 1999
Accuracy	+/- 0.2% of FS, +/-1 digit
Field supply	24V / 30 mA (optional)

ENVIRONMENT

Operating temperature	0 to +55 Deg.C
Ambient Humidity	Upto 95% non-condensing
Storage Temperature	-10 to +70 Deg. C

ENCLOSURE

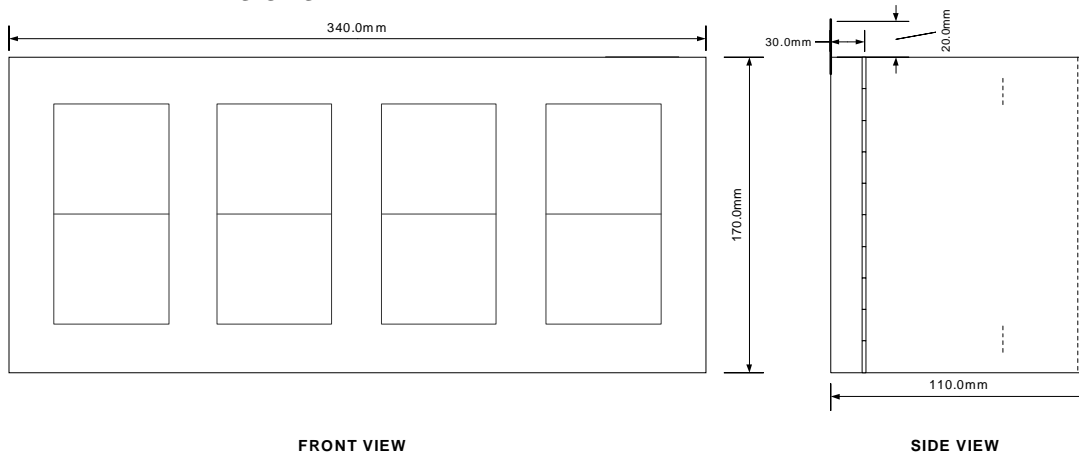
Mounting	Wall mounting
Housing	MS Powder coated
External Dimensions	170 (H) × 340 (W) × 110 (D) mm

INPUT TABLE:

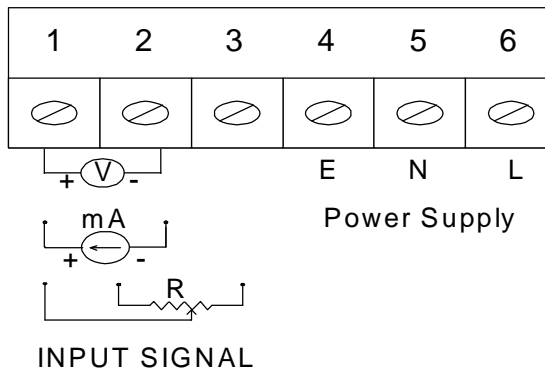
INPUTS	TYPE	RANGE	CODE
mA DC	4 – 20 mA	0 to 100 %	0
	4 – 20mA	0 to 100.0 %	1
	4 – 20mA	*User specified (within -1999 to +1999)	2
V DC	0 – 2 V	0 to 100 %	3
	0 – 2 V	0 to 100.0 %	4
	0 – 2 V	*User specified (within -1999 to +1999)	5
	1 – 5 V	0 to 100 %	6
	1 – 5 V	0 to 100.0 %	7
	1 – 5 V	*User specified (within -1999 to +1999)	8
	0 – 10 V	0 to 100 %	9
	0 – 10 V	0 to 100.0 %	A
	0 – 10 V	*User specified (within -1999 to +1999)	B
Resistance	1K to 5K Potentiometer	0 to 100 %	C
	1K to 5K Potentiometer	0 to 100.0 %	D
	1K to 5K Potentiometer	*User specified (0 to +1999)	E
Others		Consult Factory	X

* User specified – separate instructions for range to be specified

EXTERNAL DIMENSIONS:



TERMINAL DRAWING:



SAMPLE CODE ORDER:
933-200-00
 4-20mA Input (User specified range), Without field supply & output, 230V AC, Red display colour

ORDERING CODE:

